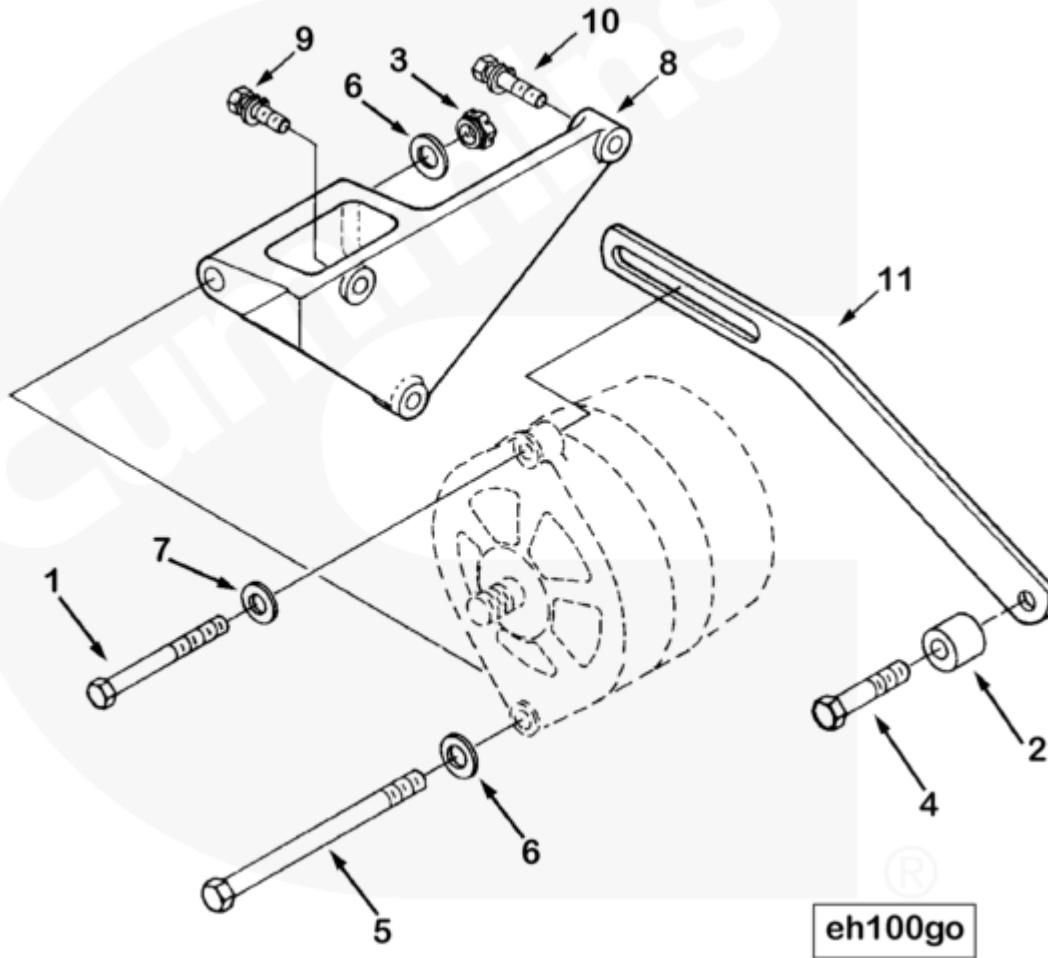




Parts Catalog - Option Detail

Electronic Parts Catalog - Option Detail				
Option	Group	Graphic	Film Card	Date
EH1028-05	13.02.3	eh100go	FF	01-OCT-00
Engines	G855, G855 CM558, GTA855 CM558 (CM2358) G101, N14 CELECT, N14 CELECT PLUS, N14 MECHANICAL, NH/NT 855, QSM11 CM876 M101, QSM11 CM876 M102M, QSN14 CM876 N103, QSN14 CM876 N105, QSNT14 CM876 N102			

©Cummins Inc



SMALL | MEDIUM | LARGE

Cart	Ref No	Part Number	Part Description	Required	Remarks
View My Cart					
		EH1028-05	Alternator Mounting		Mounting for Delco and Leece...(More)
					Neville alternator used only
					with pad type front engine

					support.
<input type="checkbox"/>	1	S 116 C	Hexagon Head Cap Screw	1	7/16 - 20 x 3 1/2 inch
<input type="checkbox"/>	2	68367 C	Lubricating Oil Filter Spacer	1	
<input type="checkbox"/>	3	70897	Lock Nut	1	1/2 - 20 UNF
<input type="checkbox"/>	4	106289	Hexagon Head Cap Screw	1	1/2 - 13 x 2 1/4 inch
<input type="checkbox"/>	5	158829	Hexagon Head Cap Screw	1	1/2 - 20 x 6 1/2 in.
<input type="checkbox"/>	6	203310	Plain Washer	3	9/16 in.
<input type="checkbox"/>	7	203760	Plain Washer	1	7/16 in.
<input type="checkbox"/>	8	218505	Alternator Support	1	
<input type="checkbox"/>	9	3012471	Captive Washer Cap Screw	1	3/8 - 16 x 1 1/8 in.
<input type="checkbox"/>	10	3012472	Captive Washer Cap Screw	2	3/8 - 16 X 1 1/2 in.
<input type="checkbox"/>	11	3029085	Adjusting Link	1	